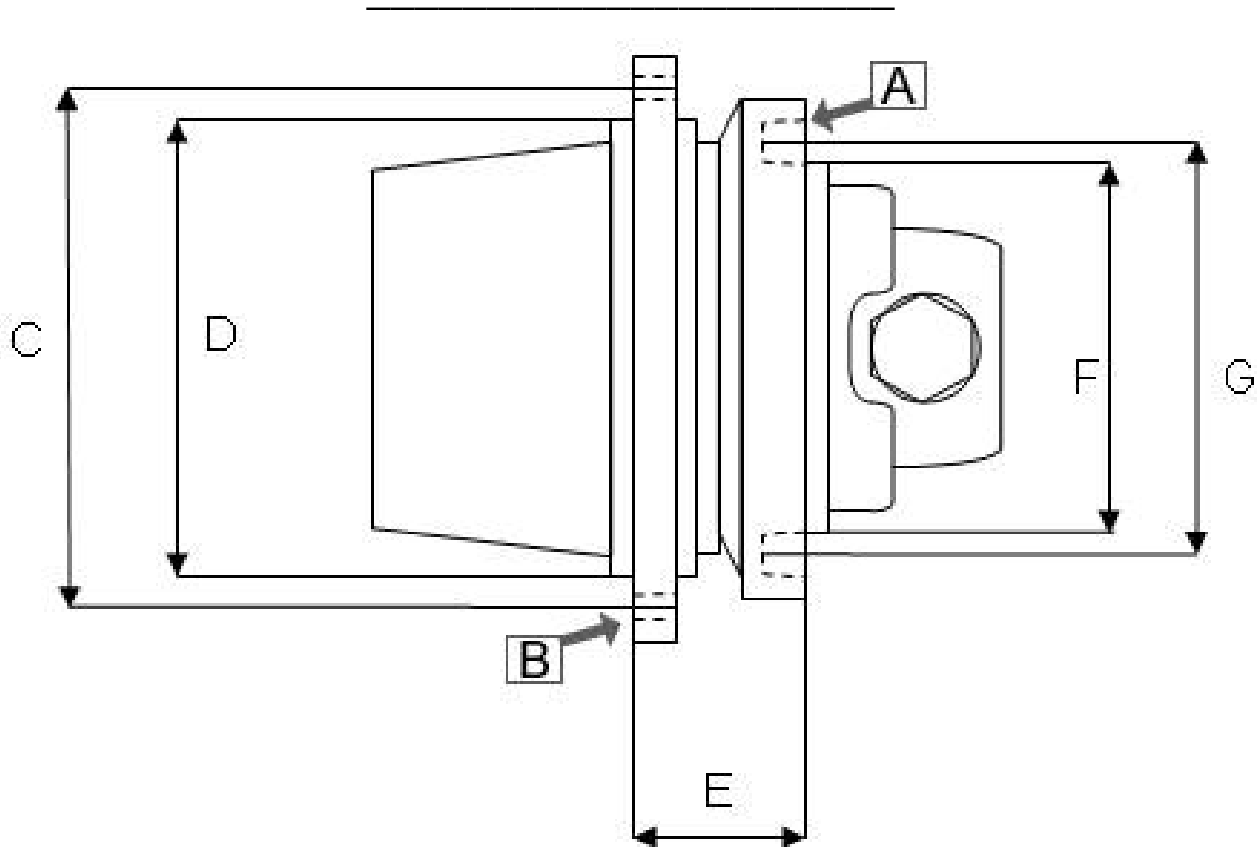


Measures from final drive

Machine-Data: _____ Model: _____

Serial-Nr.: _____ Year: _____

Datas on the plate of the travel motor



Data from travel motor:

A = Nr of holes / screw size

A = _____ / _____

B = Nr of holes / screw size

B = _____ / _____

C = diameter of hole circle

C = _____ mm

D = diameter of heels

D = _____ mm

E = Distance between the two flat surfaces

E = _____ mm

F = diameter of heels

F = _____ mm

G = diameter of hole circle

G = _____ mm

number of connection lines: _____ number of speeds: _____